



Model 3A15-11 — Surface-Mounted **Bradex**[®]

- Diplomat Series
- 16.5-gallon Capacity

Product Materials

WASTE CONTAINER: 0.036-inch/20ga.-(0.92 mm) gauge stainless steel with exposed surfaces in architectural satin finish. All welded construction; front of waste container has matching curvature to other Bradley Diplomat washroom accessories.

Capacity

Waste Container: 16.5 gal (2.2 cu. ft.)

Installation

Surface mounted units must have holes drilled by installer. Secure to wall with mounting screws (not included) at holes provided. Shim at screw points as required.

Guide Specification

16.5 gal. /2.6 cu. ft. capacity waste receptacle, formed with contemporary contours, radii, and finish matching related accessories in manufacturer's designer series. Stainless steel sheet with satin finish on exposed surfaces, fully welded, with seamless corners and burr-free edges: waste receptacle 0.036-inch / 20-ga. thick.

Overall dimensions: 16-11/16"W x 23-3/8"H x 11-11/16"D.

ADA Compliant

- Consult local and national accessibility codes for proper installation guidelines.
- Conformity and compliance to local and national codes is the responsibility of the installer.

For information on Warranties, Maintenance and BAA/ARRA Compliance, visit our web site at: bradleycorp.com/products/accessories/.

MasterFormat Title: Commercial Toilet Accessories

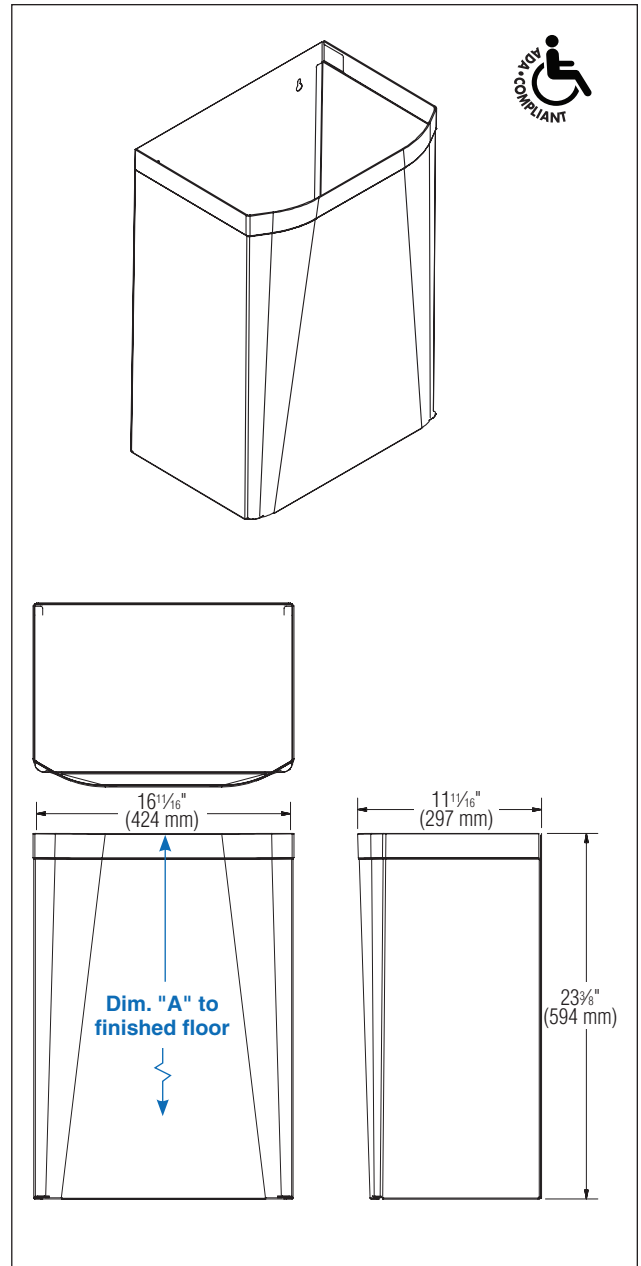
MasterFormat Number: 10 28 13.13

OmniClass Title: Toilet and Bath Specialties

OmniClass Code: 23.31.25.00

Optional Features

Feature	Suffix
<input type="checkbox"/> Vinyl Liner Part #P11-042	



Dim. "A" Key Surface:	For Dim. "A" Top of Unit	Locate Bottom of Unit
Waste receptacle top lip to finished floor	36" (914mm)	12 5/8" (320 mm)
	32" (813mm)	8 5/8" (219 mm)
	28" (711mm)	4 5/8" (117 mm)

Orders composed of products indicated as **Bradex**[®] will be available to ship in three days after receipt of order at the factory. There is no pricing penalty for this service from Bradley.